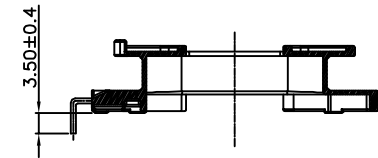
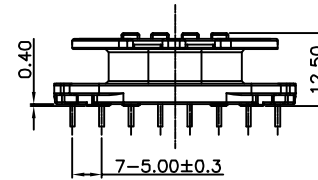
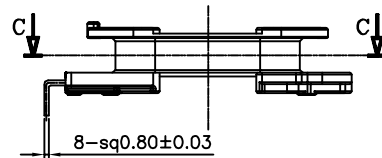
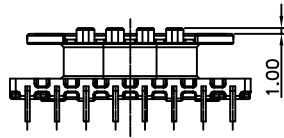
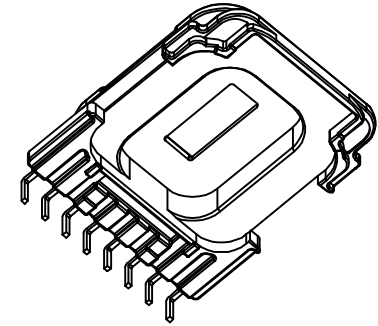
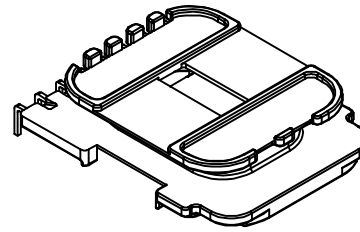
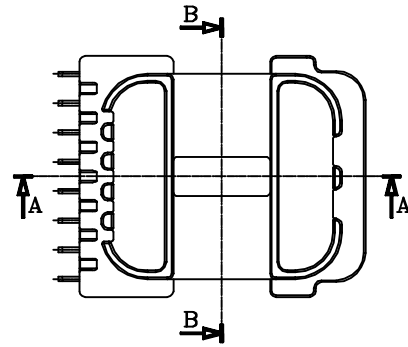
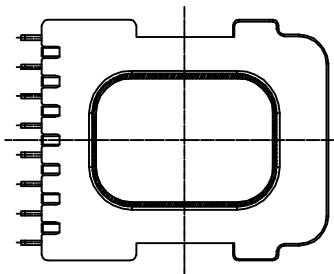


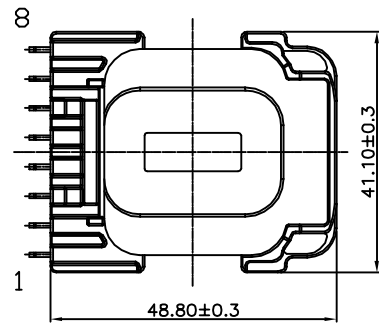
SECTION B-B



SECTION A-A



SECTION C-C



▲						
▲						
▲						
▲						
MARK						
DRAWN	CHECKED	APPROVED	MATERIAL : PET	UL REC. : UL94V-0	THIRD ANGLE PROJ.	SCALE : 1/1
HK, Yang	SH, Kim	C, Park	Z : PIN LENGTH (According to customer's request)	DATE : 2012.10.15	TOLERANCE : ±0.2 (Unless otherwise specified)	UNIT : m/m
주식회사 대흥보빈 DAE HEUNG BOBBIN CO., LTD			TITLE EE 42*14 "V" (8P)		DWG NO DH-121107-3077-07	